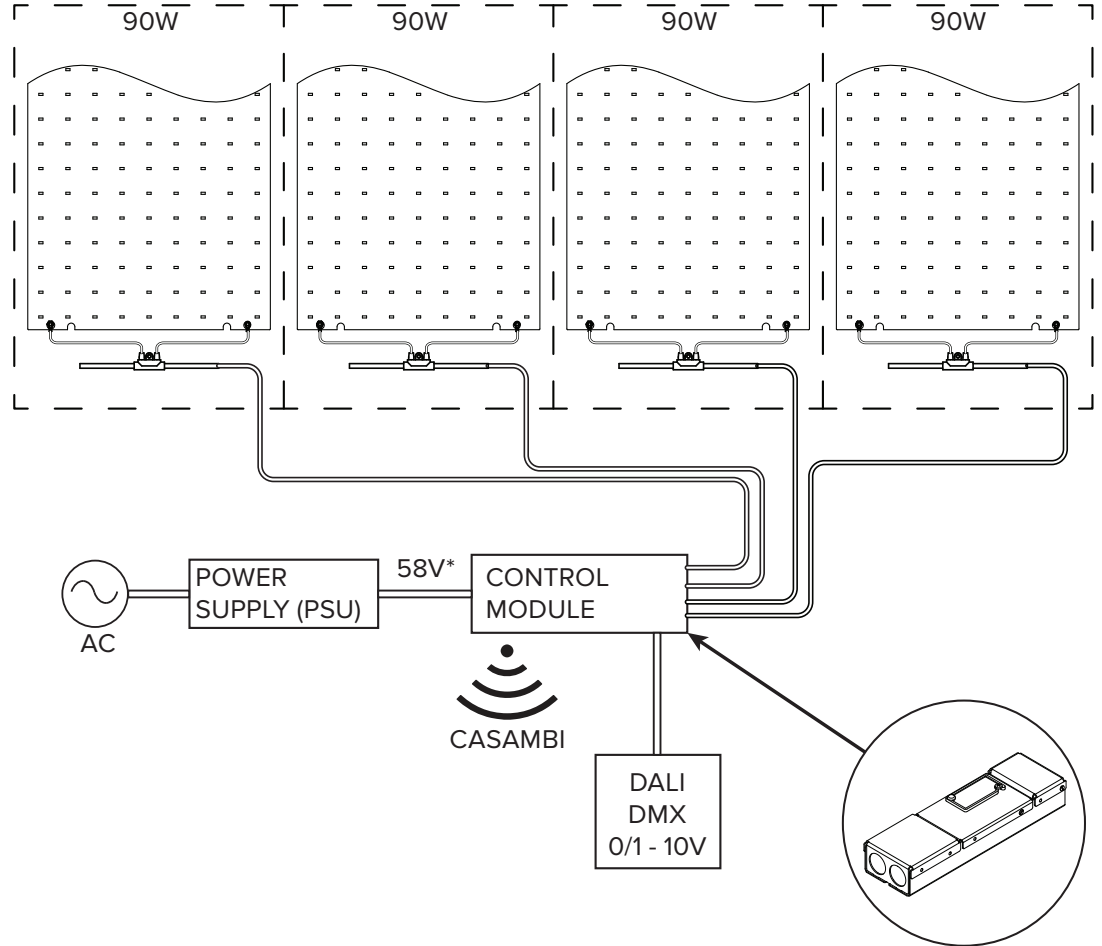


COOLEGE™

COOLEGE POWER & CONTROL QUICK START GUIDE - 58V

For detailed instructions, please refer to: EXT-0071 COOLEGE CONTROL MODULE USER GUIDE Available at cooledgelighting.com



Compatible Part No's:

- CTR-SCT-DAL-58V
- CTR-SCT-CAS-58V
- CTR-SCT-DMX-58V
- CTR-TNW-DAL-58V
- CTR-TNW-CAS-58V
- CTR-TNW-DMX-58V
- CTR-DTW-DAL-58V
- CTR-DTW-CAS-58V
- CTR-DTW-DMX-58V

* For use with 58VDC power supplies ONLY.

- Control Module is suitable for use in dry locations only (IP20).
 - CONTROL MODULE must be installed by a qualified electrician.
 - All devices should always be disconnected from mains power supply and verify its absence prior to installation/maintenance.
 - Damage to CONTROL MODULE and/or light sheets may occur if wired incorrectly.
- FCC STATEMENT:**
 This device complies with part 15 of the FCC rules. Operation is subject to the following two conditions:
 (1) This device may not cause harmful interference.
 (2) This device must accept any interference received, including interference that may cause undesired operation.



RoHS



5 Year Limited Warranty:
Parts and workmanship

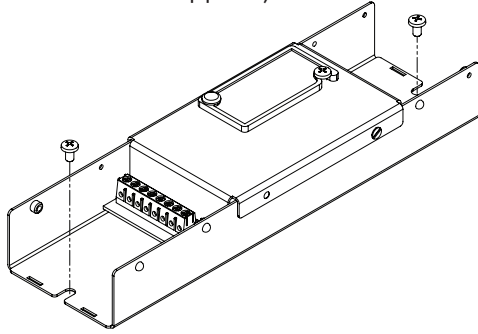
Cooledge Lighting Inc.
110-13551 Commerce Parkway
Richmond, BC V6V 2L1 Canada

O +1 604 273 2665
F +1 604 273 2660
T +1 844 455 4448
W cooledgelighting.com

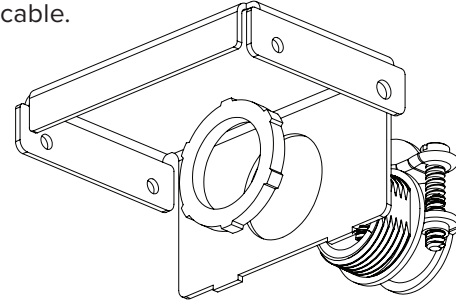
Cooledge Lighting reserves the right to change materials or modify the design of its product without notification as part of the company's continuing product improvement program.

MOUNTING COOLEdge CONTROL MODULE

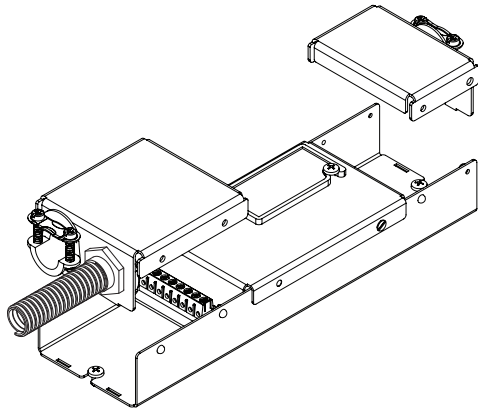
1) Fasten module in position by using the two mounting slots. (Fasteners not supplied)



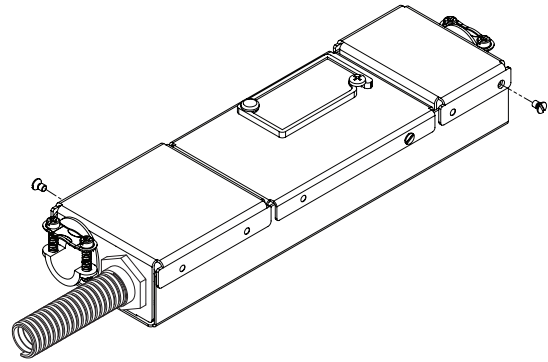
2) Terminal covers support 1/2" strain relief of conduit. Conduit or armoured cable must be used on power input cable.



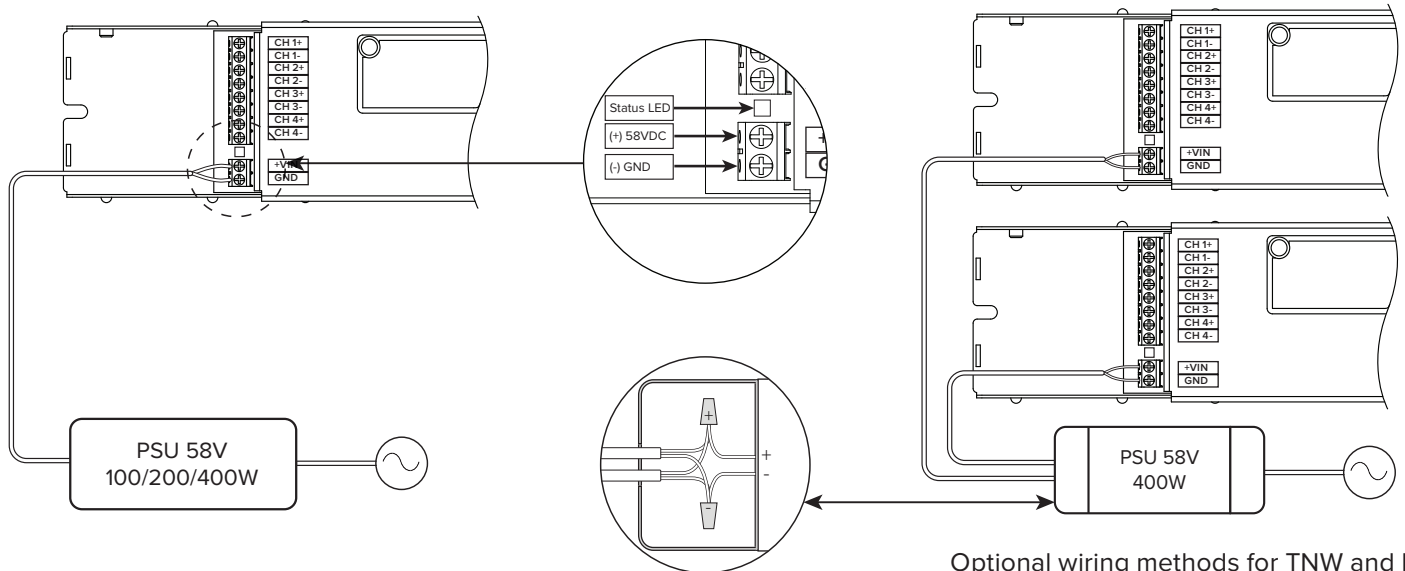
3) Thread cables through conduit/strain reliefs and covers; then make connections as required.



4) Snap covers in position and secure with provided fasteners.



INPUT POWER - 58VDC: 100W / 200W / 400W - SELV



Please refer to EXT-0071 CoolEdge Control Module User Guide for more information regarding the status LED indicator.

Optional wiring methods for TNW and DTW installations using the 400W 58V PSU.

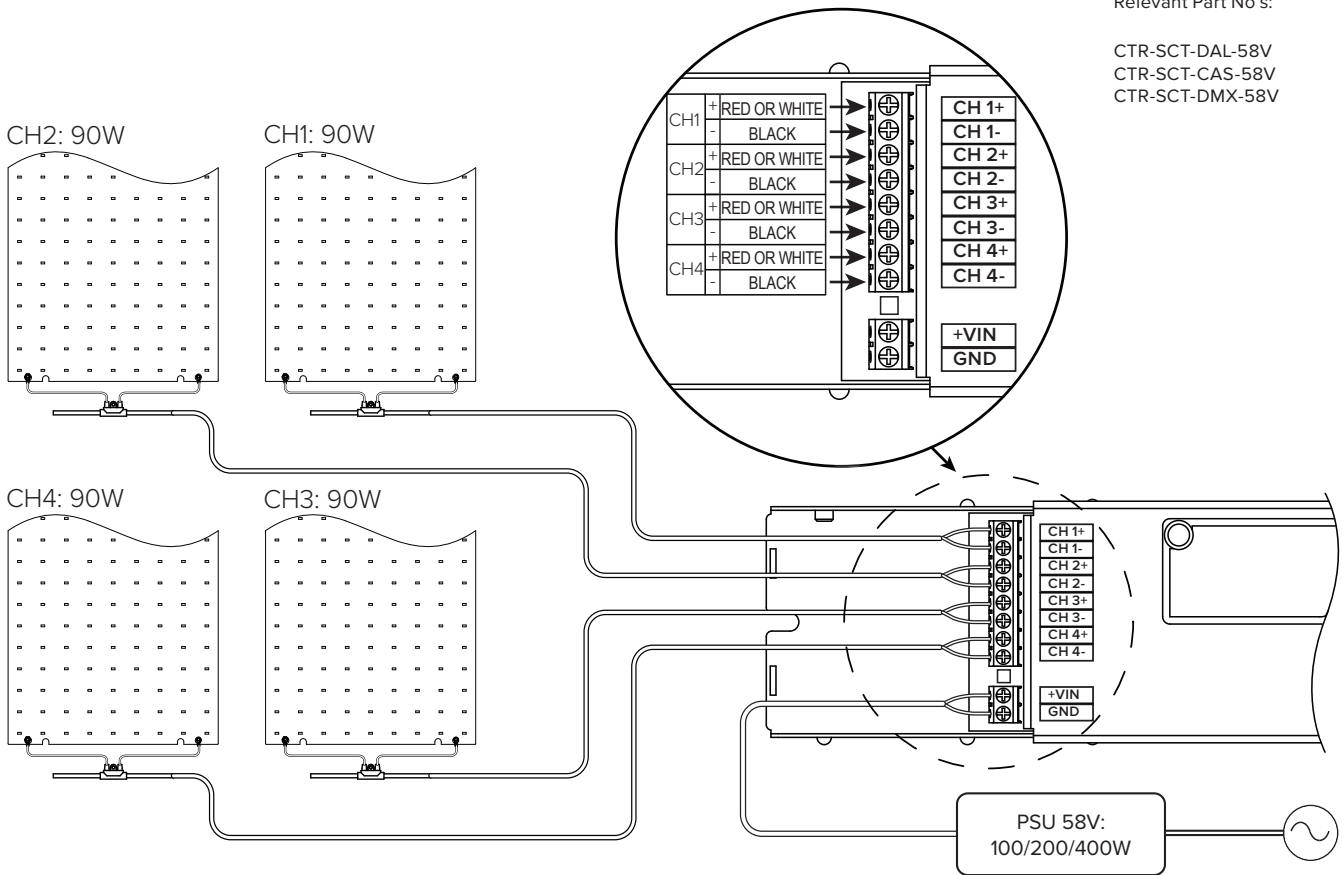
cUL Listed 58V	Control Module	100W PSU*	200W PSU	400 PSU
Dimensions (in)	8.7 x 2.6 x 1.4	11 x 4 x 3	9.6 x 2.8 x 1.5	16.0 x 4.9 x 1.7
CE Compliant 58V	Control Module	100W PSU	200W PSU	400 PSU
Dimensions (mm)	220 x 66 x 36	199 x 63 x 35	244 x 71 x 38	407 x 124 x 43

* The 100W PSU (58V) cUL version is not compatible with CoolEdge Control Modules.

OUTPUT CONNECTIONS: STATIC COLOR TEMPERATURE (SCT)

Relevant Part No's:

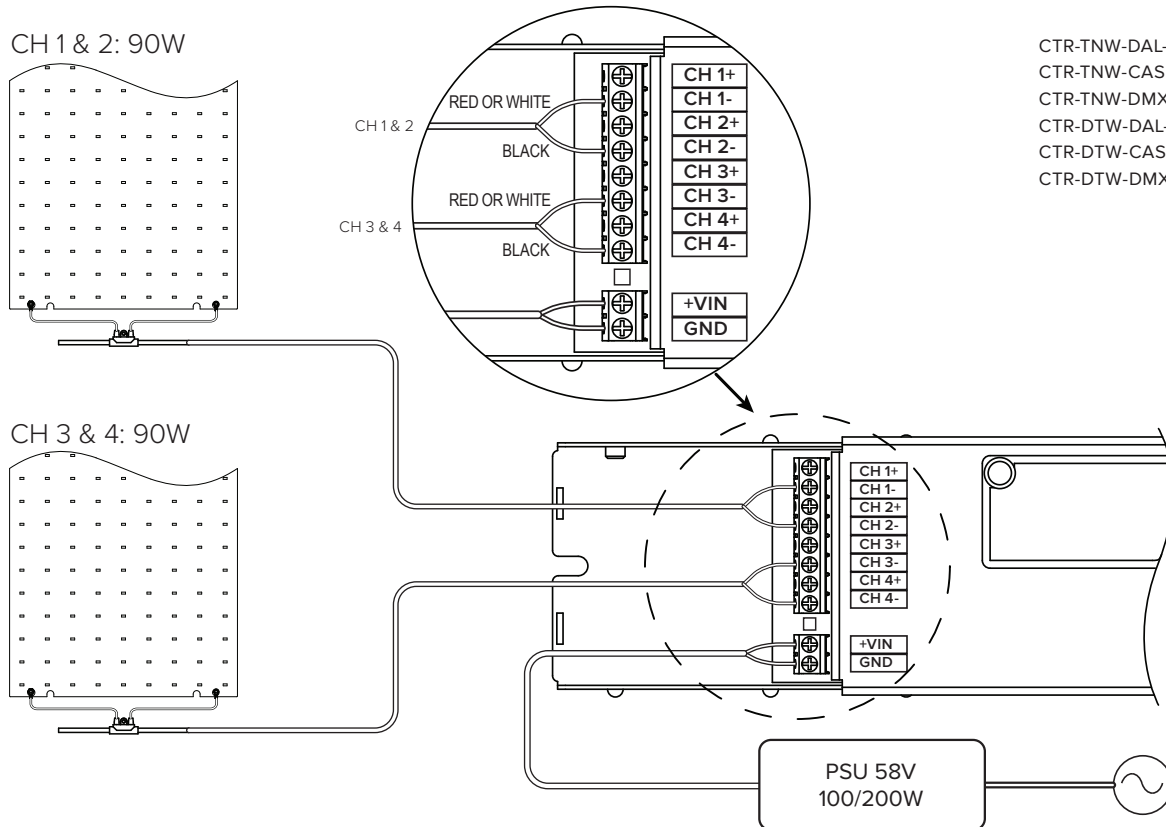
CTR-SCT-DAL-58V
CTR-SCT-CAS-58V
CTR-SCT-DMX-58V



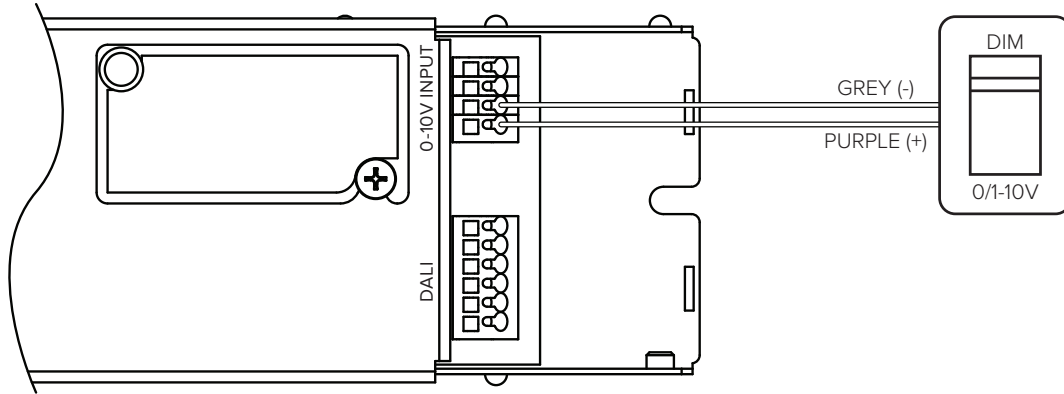
OUTPUT CONNECTIONS: TUNABLE WHITE (TNW) & DIM-TO-WARM (DTW)

Relevant Part No's:

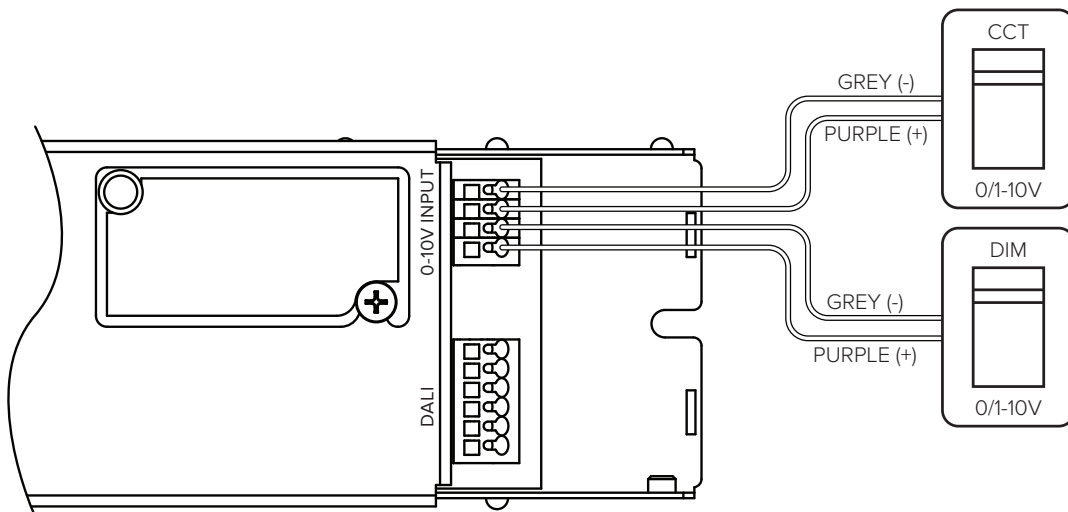
CTR-TNW-DAL-58V
CTR-TNW-CAS-58V
CTR-TNW-DMX-58V
CTR-DTW-DAL-58V
CTR-DTW-CAS-58V
CTR-DTW-DMX-58V



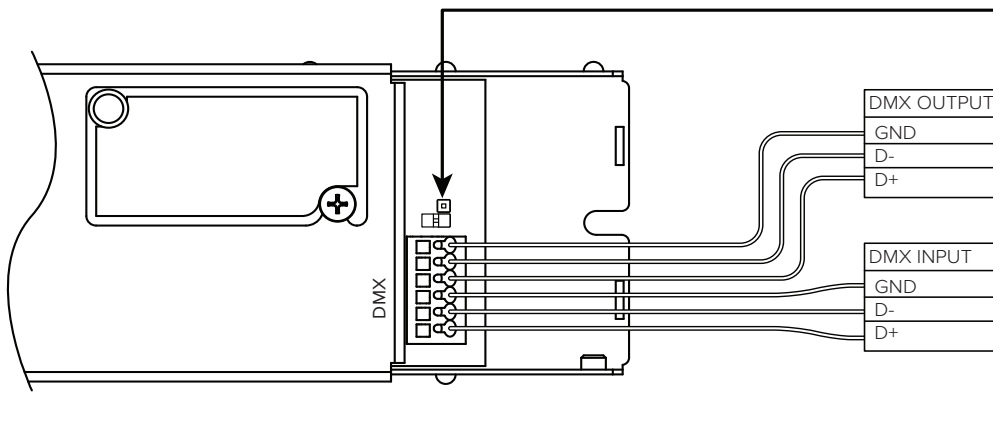
CONTROL INPUTS: 0/1 - 10V SCT / DTW



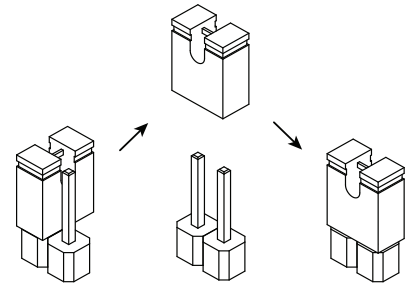
CONTROL INPUTS: 0/1 - 10V TNW



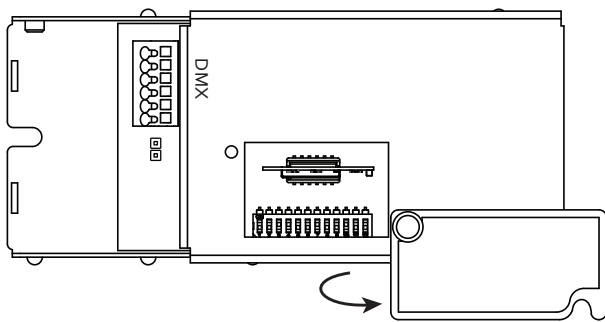
CONTROL INPUTS: DMX



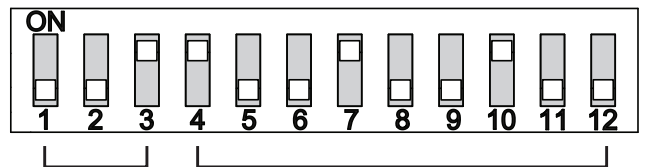
When installing the final controller (termination point) in a DMX network use the provided jumper on the indicated header.



SELECTING DMX ADDRESSES



1 = On , 0 = Off



- Switches 1 - 3: Factory set, refer to EXT-0071 for details.
- Switches 4 - 12: Addressing switches.

- To access the dip switch for selecting addresses for DMX controls, unfasten the cover screw and rotate cover out of the way.

- Each of the 9 switches (4-12) represents a bit in binary representation for the address. For example, when switch 12 is 'ON' only address 1 is selected, if switch 12 & 11 are 'ON' then address 3 is selected. The address is selected by the sum of the values of each 'ON' switch. Addresses 1 through 511 are possible

Switch:	4	5	6	7	8	9	10	11	12
Address:	256	128	64	32	16	8	4	2	1

CONTROL INPUTS: DALI

